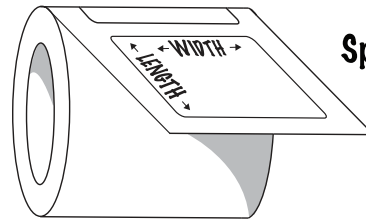


Roll Form Chart

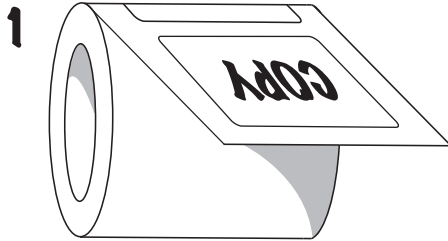
(also referred to as Copy Position or Label Rewind)



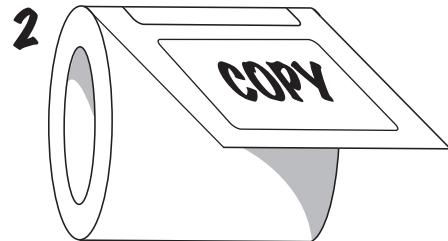
Specifying the Label Size

When specifying the label size, please give the "Width x Length" of the label according to the way that it will come off of the roll.

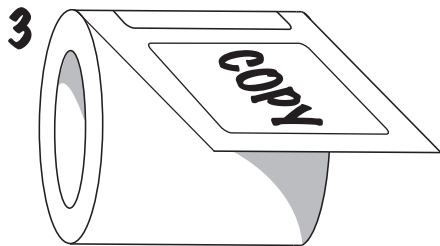
Labels Wound Out:



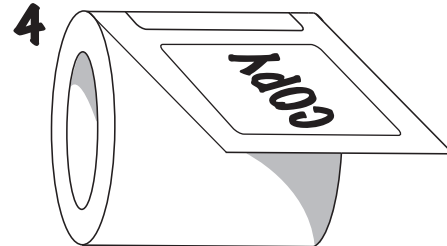
Top side of copy comes off first.



Bottom side of copy comes off first.

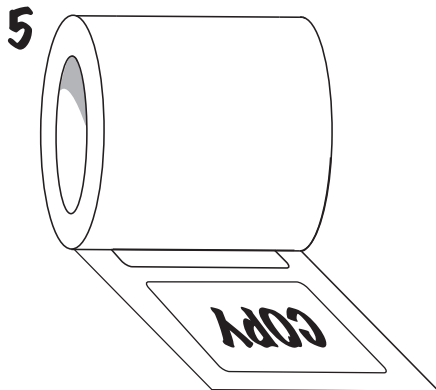


Right side of copy comes off first.

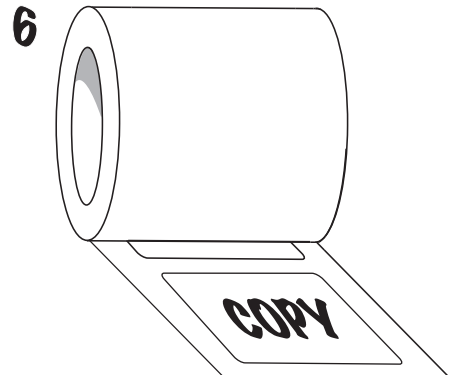


Left side of copy comes off first.

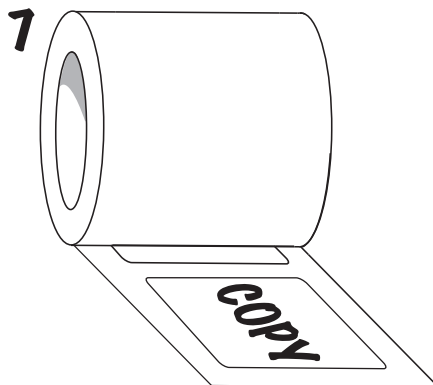
Labels Wound In:



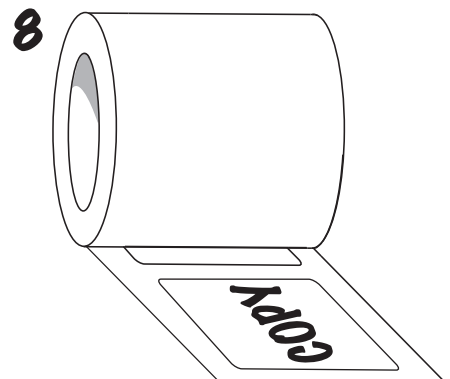
Top side of copy comes off first.



Bottom side of copy comes off first.



Right side of copy comes off first.



Left side of copy comes off first.

Courtesy of:

HTL
Holly Tag & Label, Inc.